

# The PH Chair

TIMELESS ELEGANCE OF SEATING



**The PH Chair** is designed in 1932, yet is timeless with its contemporary look, dynamics of shape and modern expression. It is a perfect example of Poul Henningsen's spirit: uncomplicated simplicity!

**The PH Chair** is available in chromed steel tubes and with the elegant upholstery of the seat in aniline leather in four colors or the exclusive Hallingdal fabric in two colors, black or light grey.

**The PH Chair** suits many applications in many environments: at home, at work or in a public space.



## Finishing:

Leather, aniline Extreme

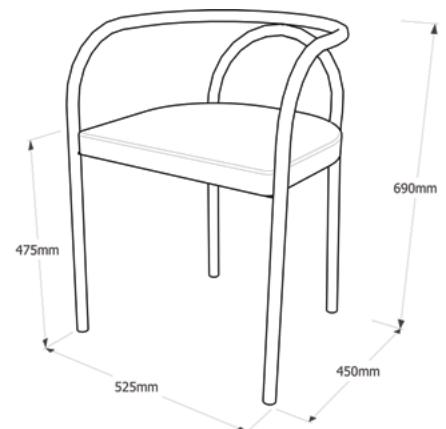


+ Legs: 25mm chromed steel tubes

Fabric, Hallingdal



+ 25mm chromed steel tubes



## PH FURNITURE